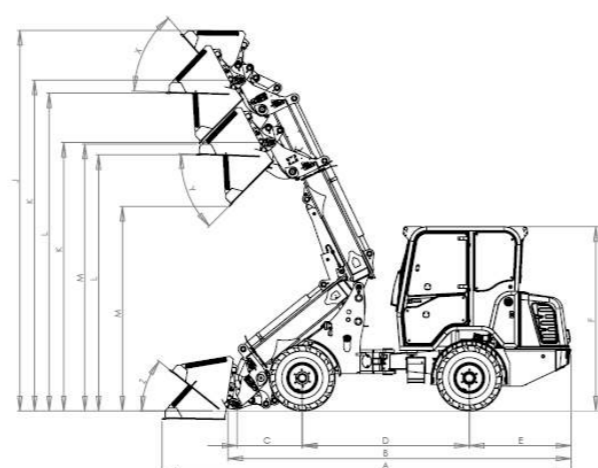
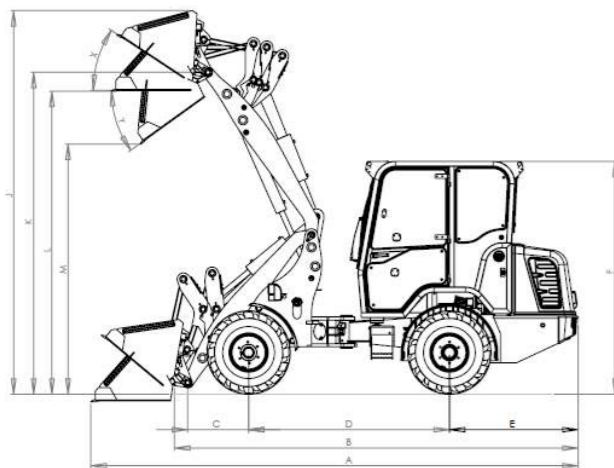


		3248/A	3248/TA
<b>A</b>	<b>Total length with shovel</b>	4731 mm	5021 mm
<b>B</b>	<b>Total length without shovel</b>	3923 mm	4212 mm
<b>C</b>	<b>Axle middle to shovel pivot pin</b>	592 mm	800 mm
<b>D</b>	<b>Wheel base</b>	1950 mm	2050 mm
<b>E</b>	<b>Rear overhang</b>	1249 mm	1249 mm
<b>F</b>	<b>Height over Rops-Fops protection cage</b>	2260 mm	2260 mm
<b>J</b>	<b>Total working height</b>	3739 mm	4664 mm
<b>K</b>	<b>max. height over shovel pivot pin</b>	3122 mm	3292/4056 mm
<b>L</b>	<b>Load-over height</b>	2950 mm	3142/3897 mm
<b>M</b>	<b>max. dumping height</b>	2273 mm	2508/3272 mm
<b>O</b>	<b>Digging depth</b>	45 mm	40 mm
<b>P</b>	<b>Total width – standard tires</b>	1160 mm	1386 mm
<b>Q</b>	<b>Track width</b>	1006 mm	1006 mm
<b>R</b>	<b>Width over Rops-Fops-Cage</b>	1010 mm	1010 mm
<b>S</b>	<b>Ground clearance</b>	280 mm	280 mm
<b>T</b>	<b>Maximum radius (external)</b>	2694 mm	2574 mm
<b>U</b>	<b>Radius over outer edge</b>	2382 mm	2967 mm
<b>V</b>	<b>Inside turning radius</b>	1150 mm	1257 mm
<b>W</b>	<b>Angle of articulation</b>	55°	55°
<b>X</b>	<b>Roll back angle at maxi. lifting height</b>	44°	47°
<b>Y</b>	<b>Maximum dumping angel</b>	39°	47°
<b>Z</b>	<b>Rollback angle in ground position</b>	40°	39°
	<b>Weight on front axle</b>	690 kg	800 kg
	<b>Weight on rear axle</b>	1900 kg	1900 kg
	<b>Empty weight</b>	2600 kg	2700 kg
	<b>Operating weight</b>	2900 kg	3000 kg

## 3248/A 3248/TA option: cabin version



The - Loader with system.  
We understand what you need.



Dealer

Thaler GmbH & Co. KG  
Weidinger Straße 24  
84570 Polling

Tel: +49 (0)8633 50550-0  
Fax: +49 (0)8633 50550-10  
info@hoflader.com  
www.hoflader.com

Technical data – subject to change and non-contractual - in dependence of the tools and tires mounted and R&D to take into consideration.

For multi-purpose use  
Top class quality  
Simply convincing



# 3248/A

for a best panoramic view, also Loader near.



### 4-post-Fops-Rops protection cage

Standard Equipment: the Fops-Rops-Protection roof in new design for permant operator's security comfortable, adjustable seat with security belt.

### Controls

Adjustable steering column Multifunctional jostick with rocker switch (3 positions: FW/N/BW) for precise operations, including an internal locking system.

Standard equipment also - 3rd hydraulic function on the lifting arm with crank in one pressure position as well as in the neutral position.

### Engineering of the centre pivoting articulation

Heavy duty engineering and design for a long life-expectation, also on rough ground. The two hydraulic rams in the centre articulation are ensuring a smooth and secure steering with a maximum articulation angle of 55°.

### Further particularities

Well-thought protection of all key components due to the frame mode construction.

A very big dumping angle at maximum height ensures easy emptying off the shovel.

Unbelievably strong for that small size of the 3248, capable to work in small and tiny spaces.

Powerful transmission with drive shaft and planetary gears in the axles.

Wear-free multi-disc brake in oil bath.

**Longitudinally mounted 4-cyl.-Yanmar Engine with a good accessibility for maintenance.**

- **Vibration dampening system mounted under the operator's platform**
- **To the side tiltable operator's platform**
- **Main battery switch behind the seat**
- **Double skin engine bonnet in new design made out of ABS/PMMA**
- **LED working lights, 2 in the front, 1 in the rear**
- **Option: spacious cabin**



<-- Oscillating rear axle

Heavy duty centre articulation with 2 hydraulic rams --->





# 3248/TA

Benefit also from our many years lasting experience in building wheeled loader with telescopic lifting boom.

**THALER**  
LOADER

The wheeled loader with telescopic lifting boom 3248/TA sets new standards in its category:

- Best weight distribution and control, even in the total working height of 4620 mm
- Telescopic arm mounted with wear resistant hardplastic sliding plates
- Standard equipment: multifunctional joystick with all necessary controls
- operator's platform with improved ergonomics for an easy working day
- Option: limited slip control (40 %) for proper handling and moving even in muggy conditions



- Vibration dampening system mounted under the operator's platform
- To the side tiltable operator's platform
- Plane foot space and spacious legroom
- 4-cyl. Yanmar engine with 48 HP
- Main battery switch behind the seat
- Multi-disc brake in oil bath
- greasing nipples reachable from outside
- Casting weight for a perfect weight distribution, in particular for heavy loads



High dynamic stability, even with the telescopic boom out



Longitudinally mounted Yanmar Engine offering good accessibility



# Cabin 3248

Both models 3248/A and 3248/TA are available with a cabin!

The in-house made and silenced cabin has a nice design and offers a spacious interior and very good around visibility.

**Easy working day in a spacious cabin with Vibration dampening and noise insulation.**

Standard equipment:

- Heating system
- Efficient ventilation system
- Two Large access doors, fully glazed, with an opening angle of 180° and a latch, either only for the window, either for the whole door.
- Openable rear window
- LED working lights, 2 in the front, 1 in the rear



Option: Rotating flashing beacon



Height over cabin:	
3248/A	2260 mm
3248/TA	2260 mm

Empty weight with cabin:	
3248/A	2700 kg
3248/TA	2800 kg



LOADER

## Technical data:

Motor	3248/A	3248/TA
Engine make 4 cylinder Yanmar with 3000 Revs/min	35,4 KW 48 HP	
Displacement	2190 cm <sup>3</sup>	
Transmission	Hydrostatic	
Tires	10.75-15,3	400/50-15,3
Working brake	Hydrostatic	
Parking brake	Wear-free multi-disc brake in oil bath	
Working hydraulic systems	51 ltr. / 180 bar	
Steering system	Full hydraulic star articulated steering system with pendular in the rear axle	
Speed	20 km/h	
Electrical system	12 V	
Fuel tank	50 ltr.	
Hydraulic oil tank	40 ltr.	

	3248/A		3248/TA	
			Telescopic arm in	Telescopic arm out
Lifting capacities		2500 kg	2500 kg	
Tipping load – shovel lift gear horizontal	straight	2200 kg	2200 kg	1200 kg
	articulated	1700 kg	1600 kg	900 kg
Tipping load- palet forks lift gear horizontal	straight	2000 kg	2000 kg	1000 kg
	articulated 55°	1500 kg	1500 kg	700 kg

Download videos:

<http://www.hoflader.com/index.php.Video.html>

For the operation of the Thaler Loader the cabin is equipped with all necessary elements.

Of course, the handlers are also available with a lighting system for public road use.



Made in Bavaria/Germany